

SANITARY SEWER SYSTEM CONSTRUCTION PLANS

FOR

BEAR VALLEY WATER DISTRICT

LYING IN SECTION 18
T.7 N., R.17 E., M.D.B. & M.
COUNTY OF ALPINE - STATE OF CALIFORNIA

GENERAL NOTES:

1. Contractor shall notify Pacific Gas & Electric and Pacific Telephone before any excavation.
2. The existing underground utilities are plotted from available records. The Contractor shall take due precautionary measures to protect the utilities shown and any other lines not of record or not shown on these plans.
3. Location of house services not shown on the plans will be determined in the field by the Engineer at the time of construction.
4. Regulatory signs shall be relocated and maintained by the Contractor.
5. All surfacing materials of the existing roadway cut or damaged by as a result of construction operations shall be replaced with the structural section shown on these plans.
6. All pavement which is to be removed shall be cut or scored on a straight neat line.
7. All crossings of the proposed sanitary sewer and the existing storm drain facilities shall be made in conformance with the details shown on Sheet 4 and the specifications.
8. The Bear Valley Water District will make the necessary arrangements for street closure, elimination of parking, and the plugging of existing sanitary sewer for tie upon 48 hours notice from the Contractor.

INDEX TO SHEETS

TITLE PAGE	-----	1
LATERAL A	-----	2
LATERAL B	-----	2
LATERAL C	-----	2
LATERAL D	-----	3
LATERAL E	-----	3
LATERAL F	-----	3
LATERAL G	-----	2
LATERAL H	-DELETED-	3
LATERAL I	-----	3
DETAILS	-----	4

PREPARED BY

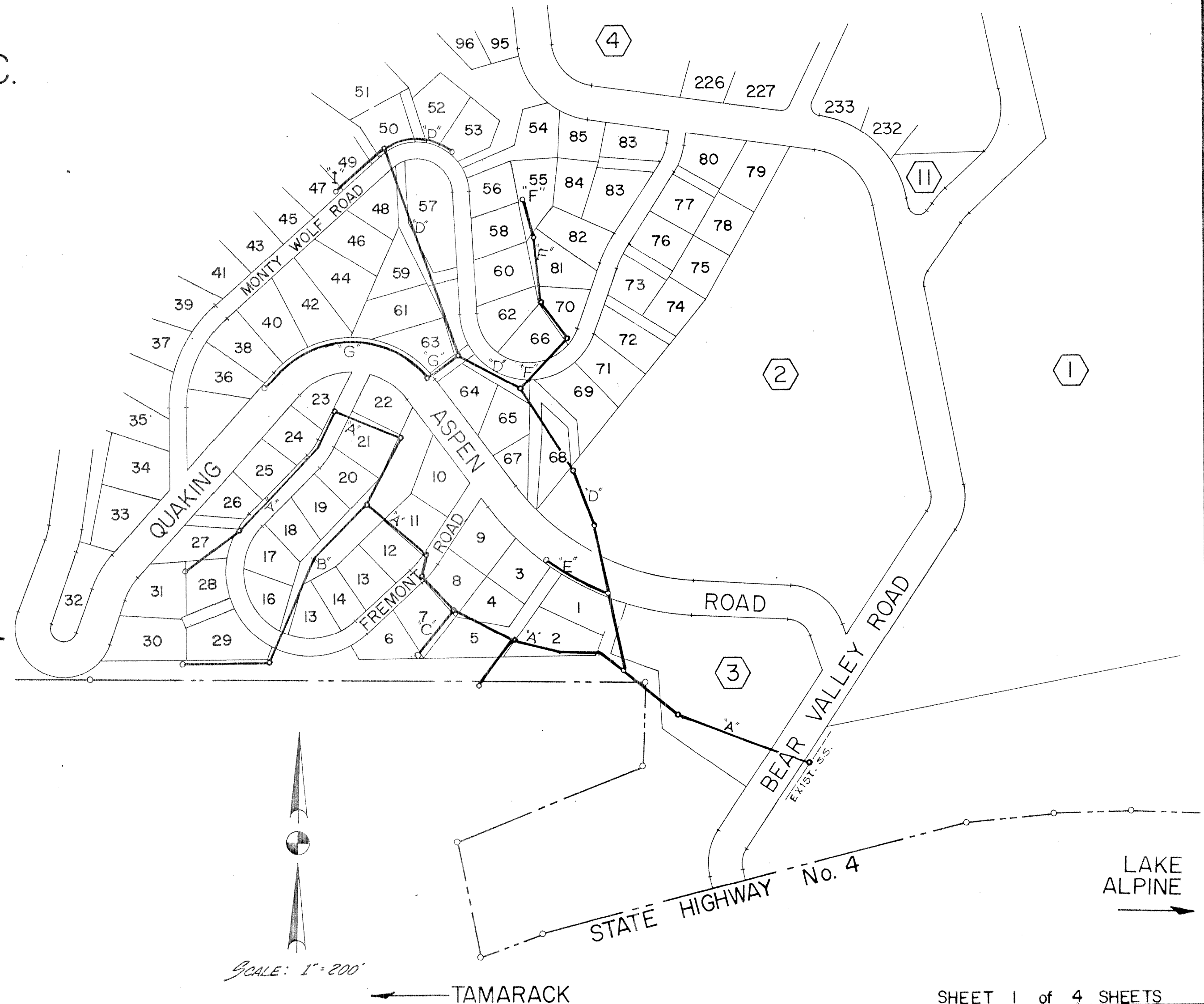
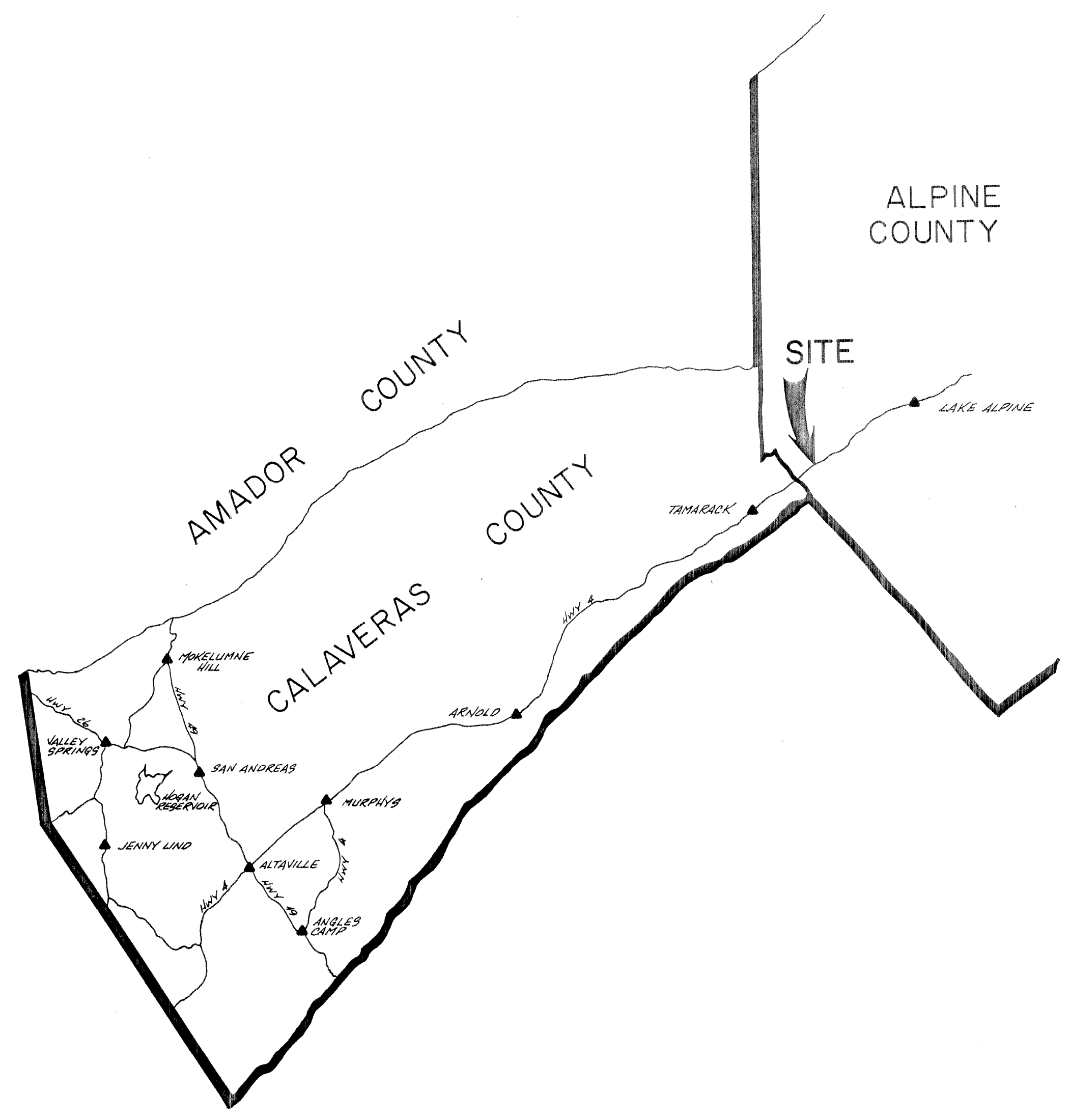
HAIGHT & WEATHERBY
A DIVISION OF TEVCO INC.
P.O. BOX 817, SAN ANDREAS, CALIF.

DISTRICT ENGINEER

Eugene Weatherby R.C.E. 14,774

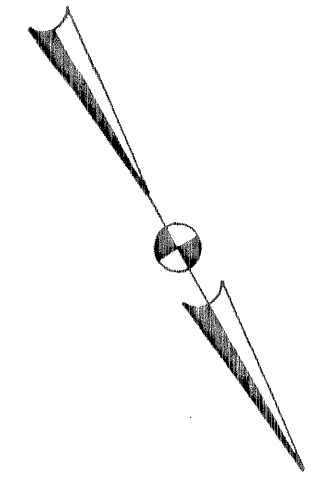
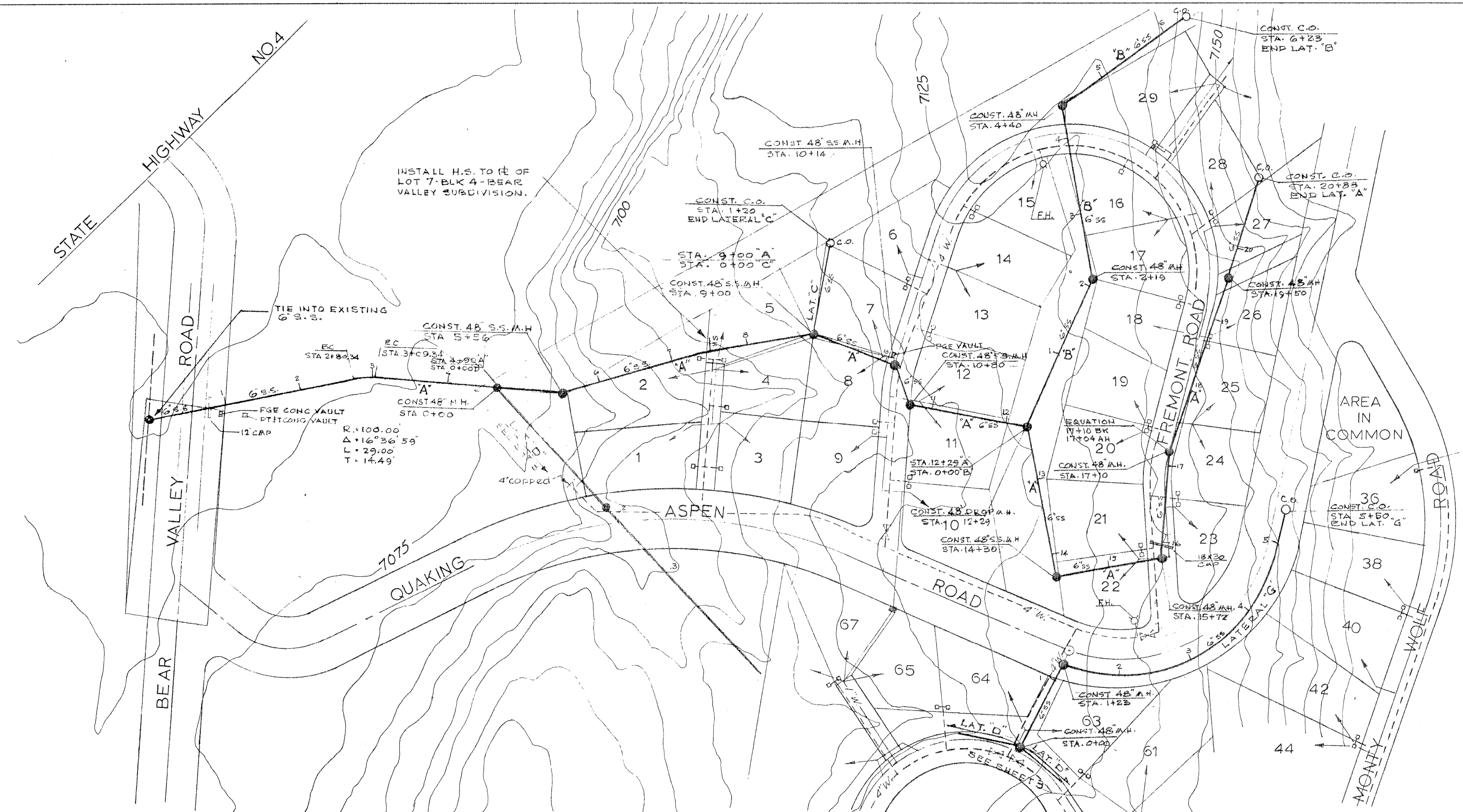


BEAR VALLEY SEWER PROJECT
1970-1



PLAN	SURVEYED	DATE
	PLOTTED	BY
	ALIGNMENT CHECKED	
	RT. OF WAY CHECKED	
	NOTE BOOK NO.	

PROFILE	SURVEYED	DATE
	PLOTTED	BY
	GRADES CHECKED	
	STRUCTURE NOTATIONS OK'D	
	NOTE BOOK NO.	



- Legend**
- Proposed Sewer Lines
 - Existing Water Lines
 - Existing PG&E, TVE & M Lines
 - Existing PG&E Lines Only
 - Existing Water Services
 - Existing Fire Hydrants
 - Existing Gate Valves
 - Existing Utility Service Connections
 - Proposed Clean-Out (C.O.)
 - Proposed Manholes

SCALE:
HORIZONTAL 1"=100'
VERTICAL 1"=10'

H W	HAIGHT & WEATHERBY	
	P.O. BOX 817, SAN ANDREAS, CALIF.	
BEAR VALLEY SANITARY SEWER CONSTRUCTION PLANS		
LATERAL A LATERAL B LATERAL C LATERAL G		
DESIGNED J.M.C.	DRAWN J.S.	CHECKED J.A.C.
APPROVED		DATE 9-24-76
SCALE AS NOTED	W.O. NO. 1692261	FILE NO. 2 OF 4

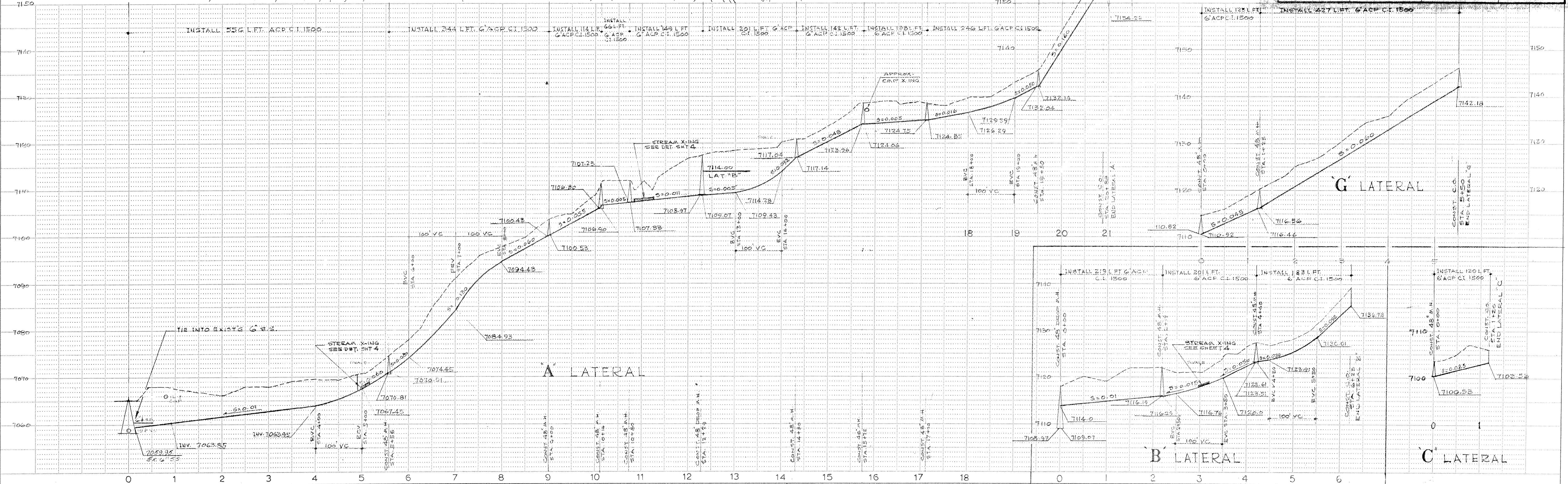
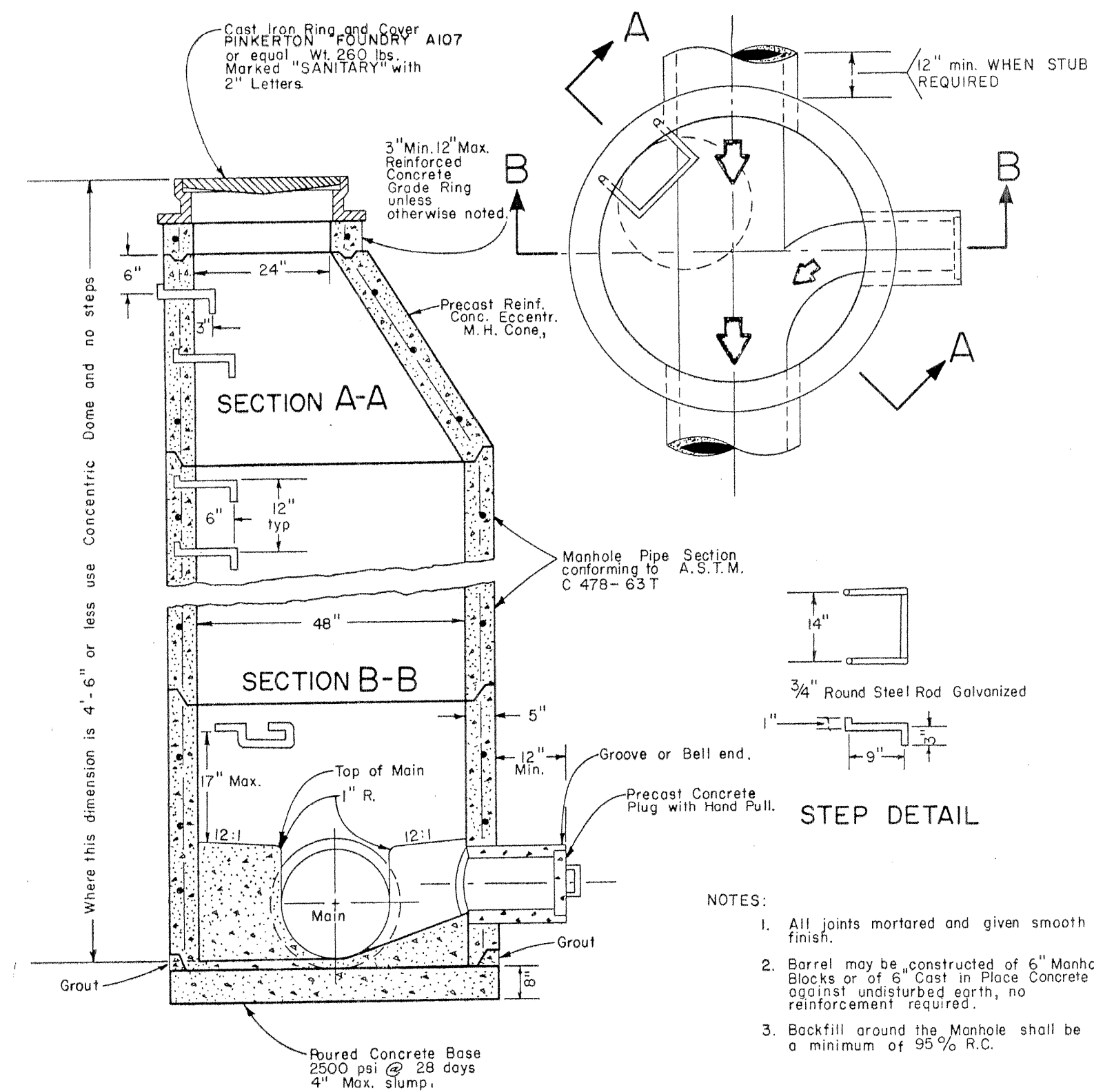
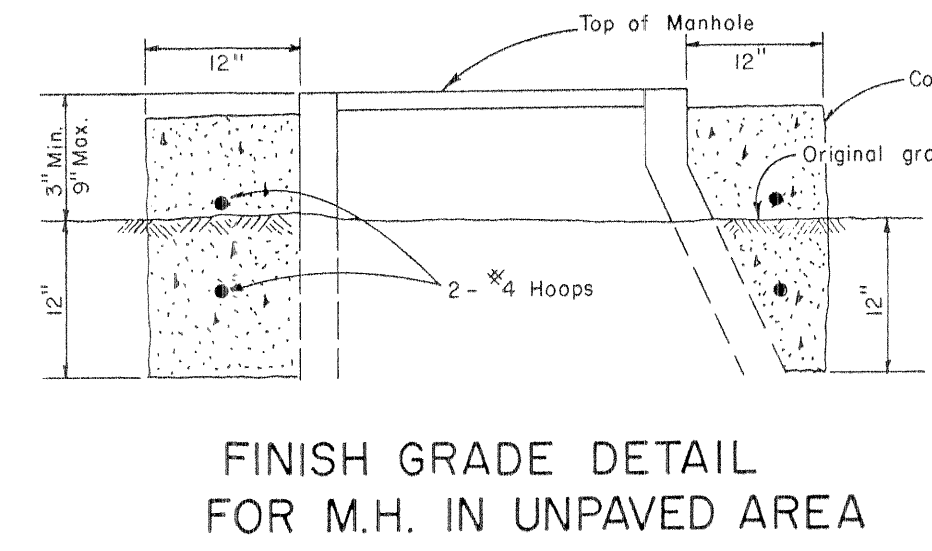


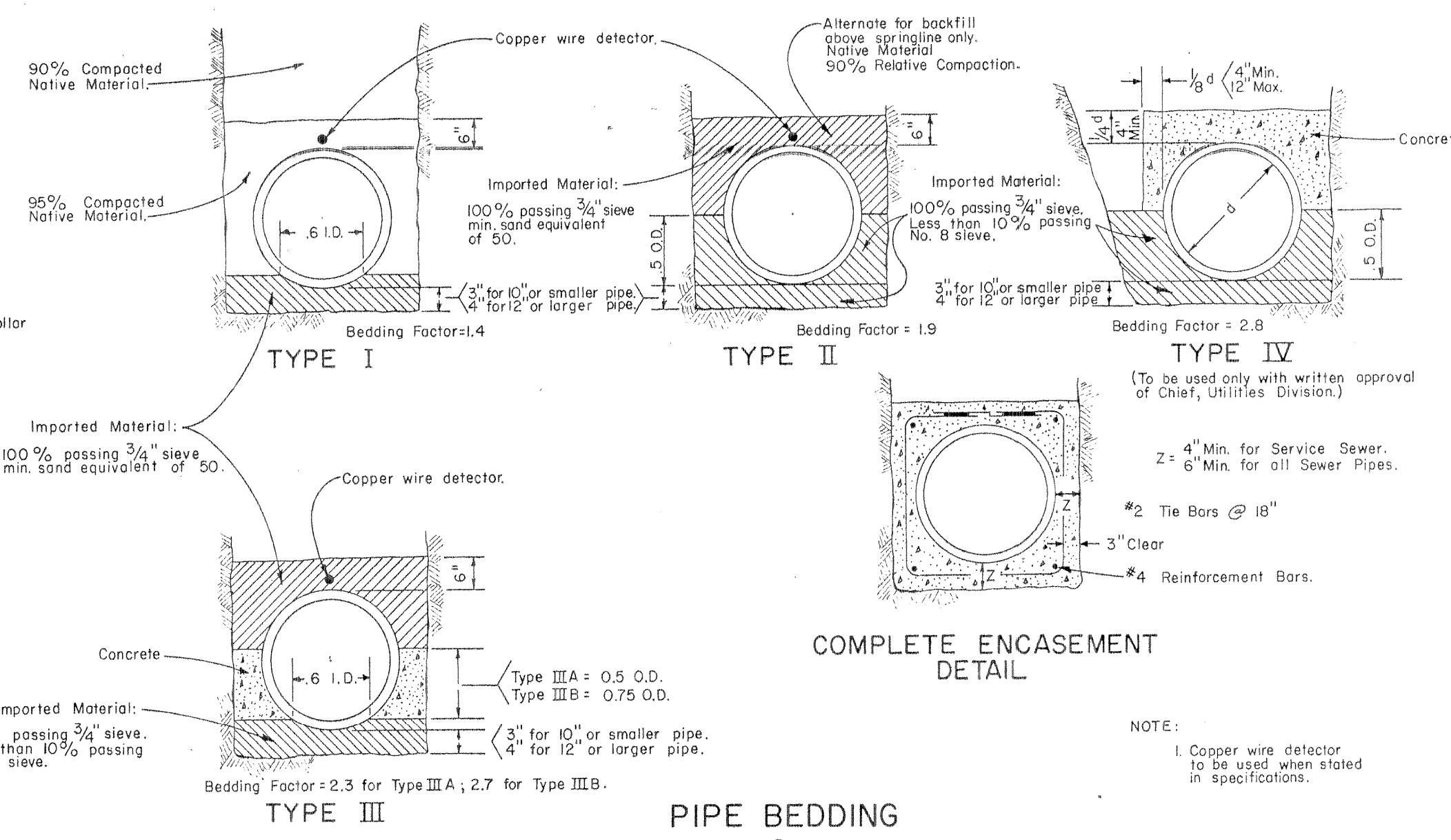
PLATE 1 SINGLE PLAN - PROFILE - DOTTED
CHARLES BRUNING COMPANY
MADE IN U.S.A.



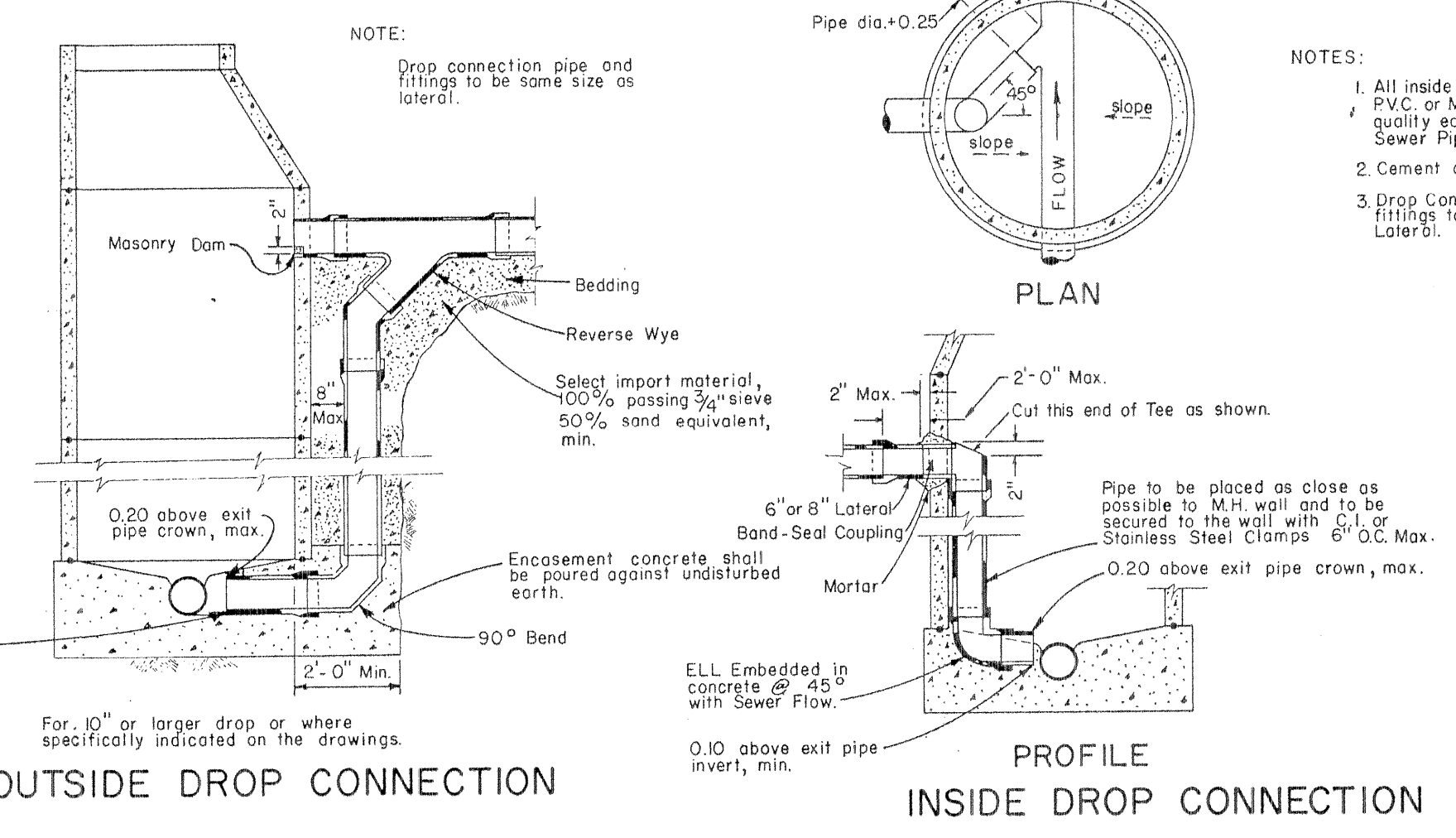
SANITARY SEWER MANHOLE



FINISH GRADE DETAIL FOR M.H. IN UNPAVED AREA

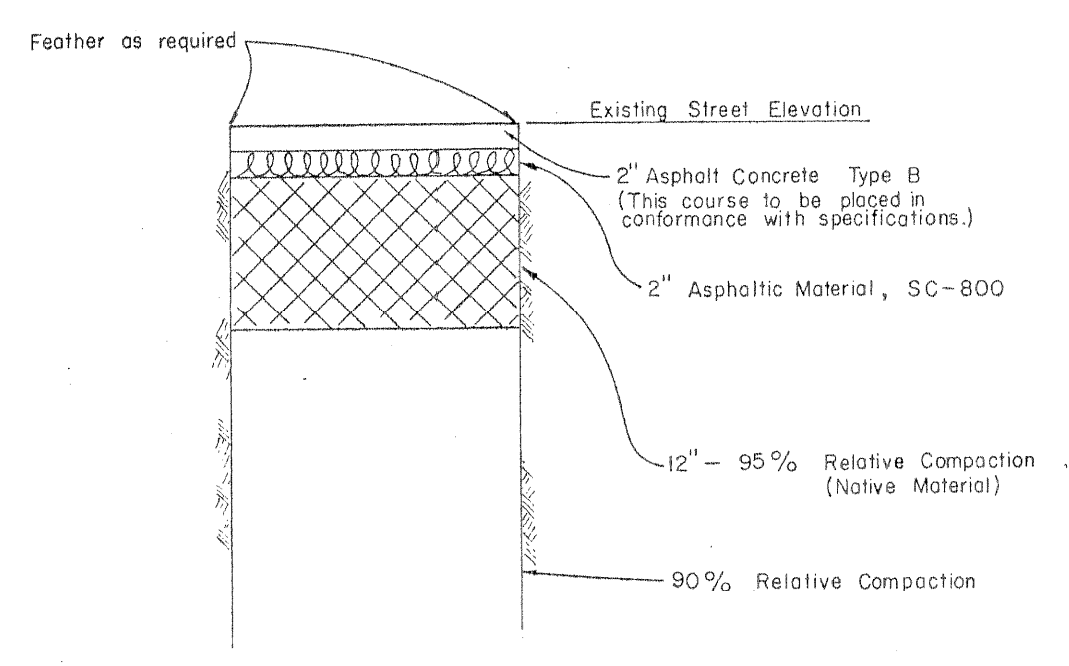


PIPE BEDDING & INITIAL BACKFILL

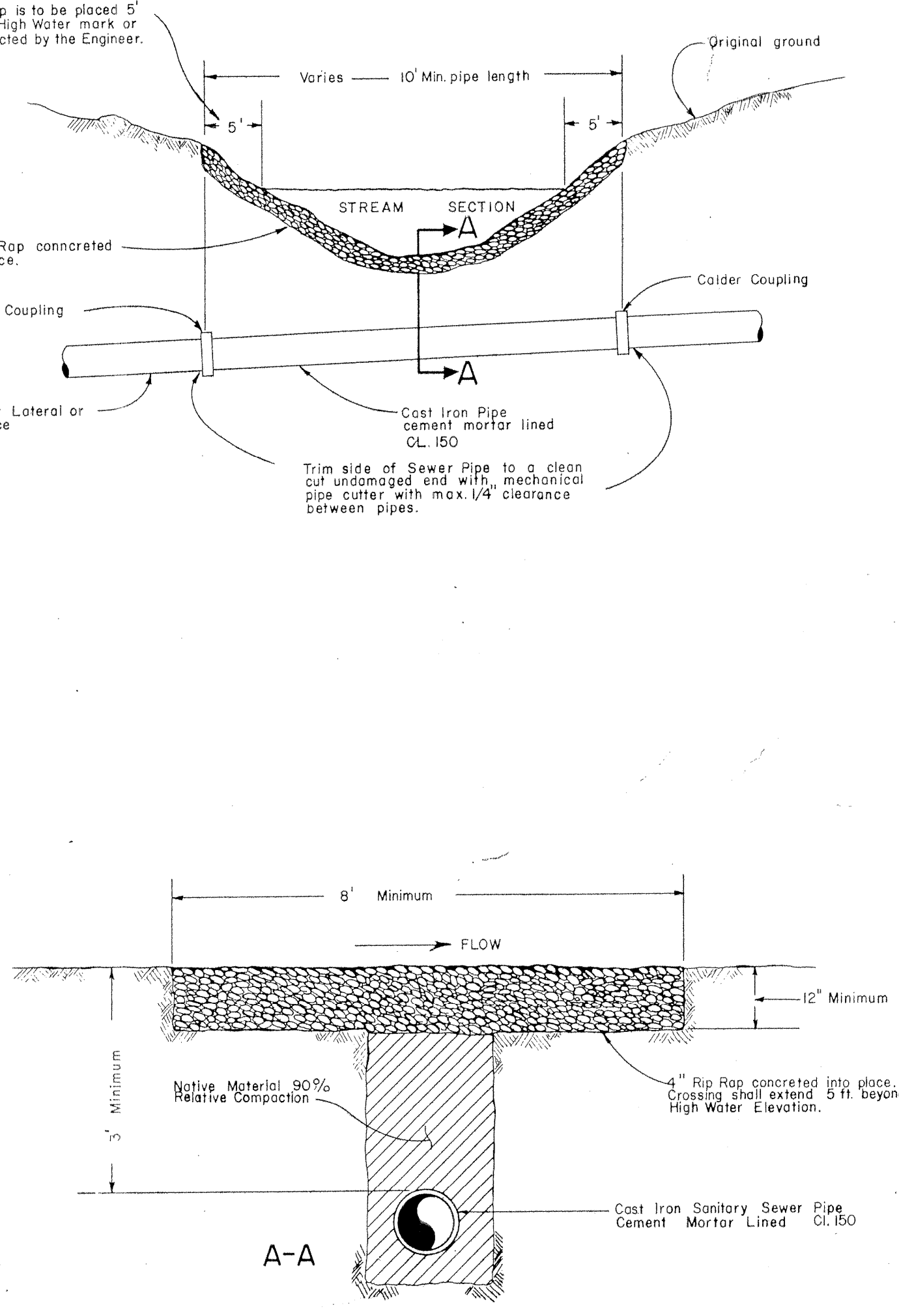


OUTSIDE DROP CONNECTION

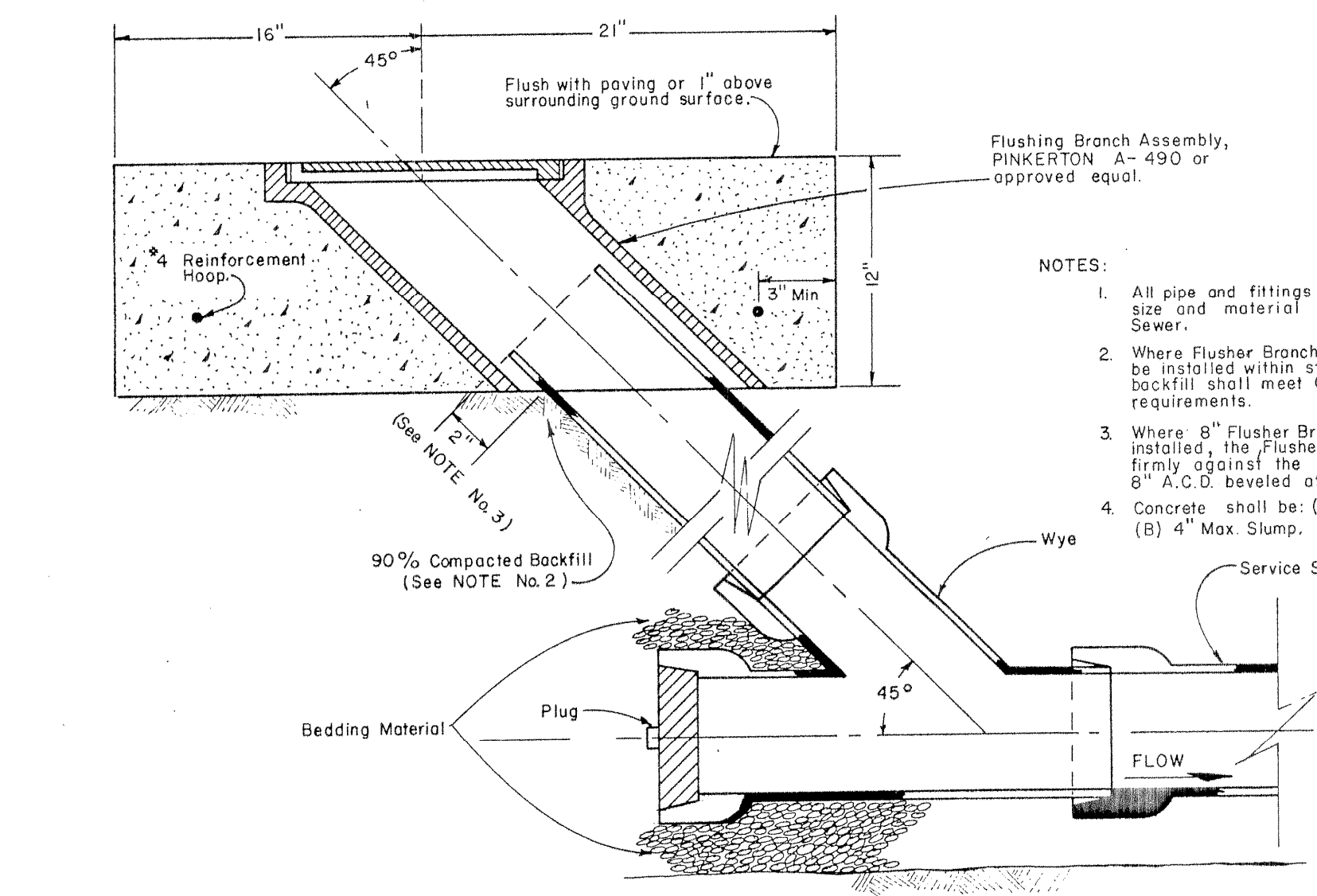
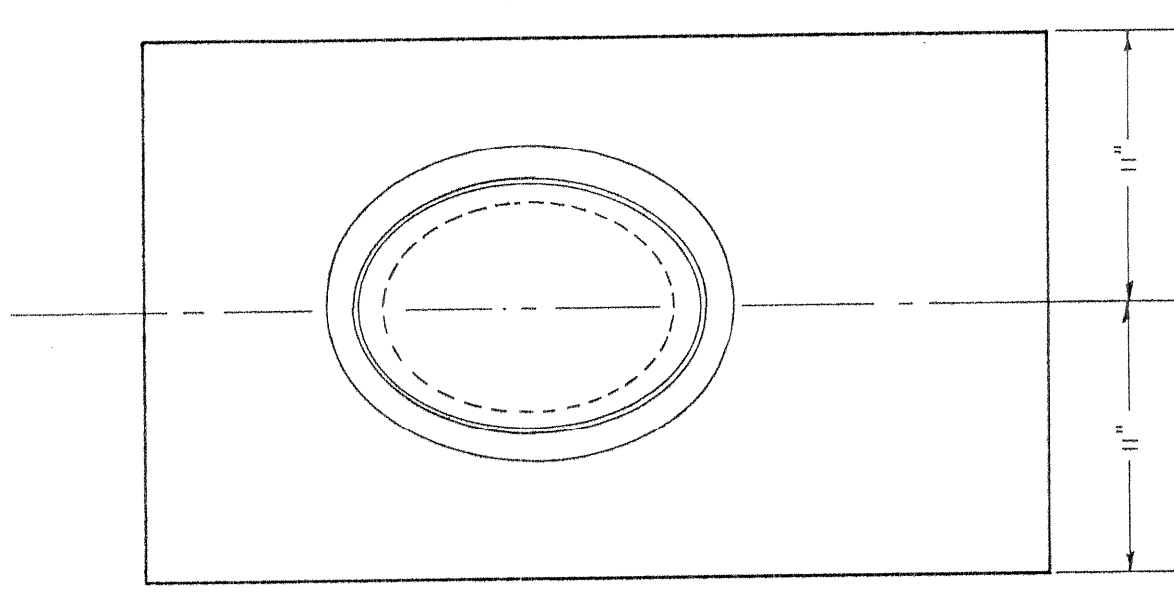
INSIDE DROP CONNECTION



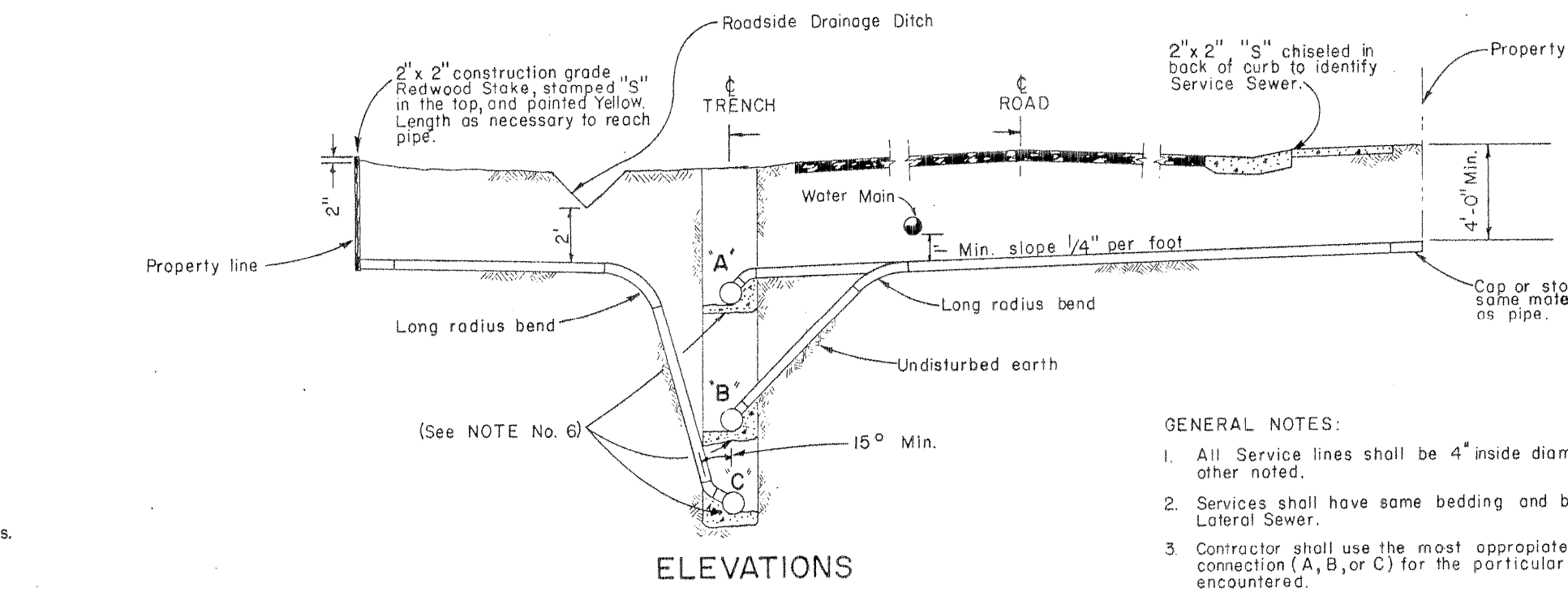
STRUCTURAL TRENCH SECTION



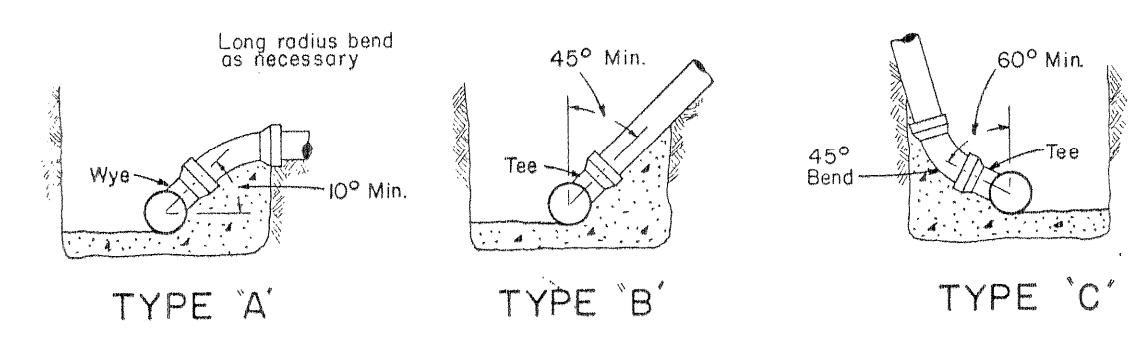
STREAM CROSSING DETAIL



CLEAN OUT DETAIL



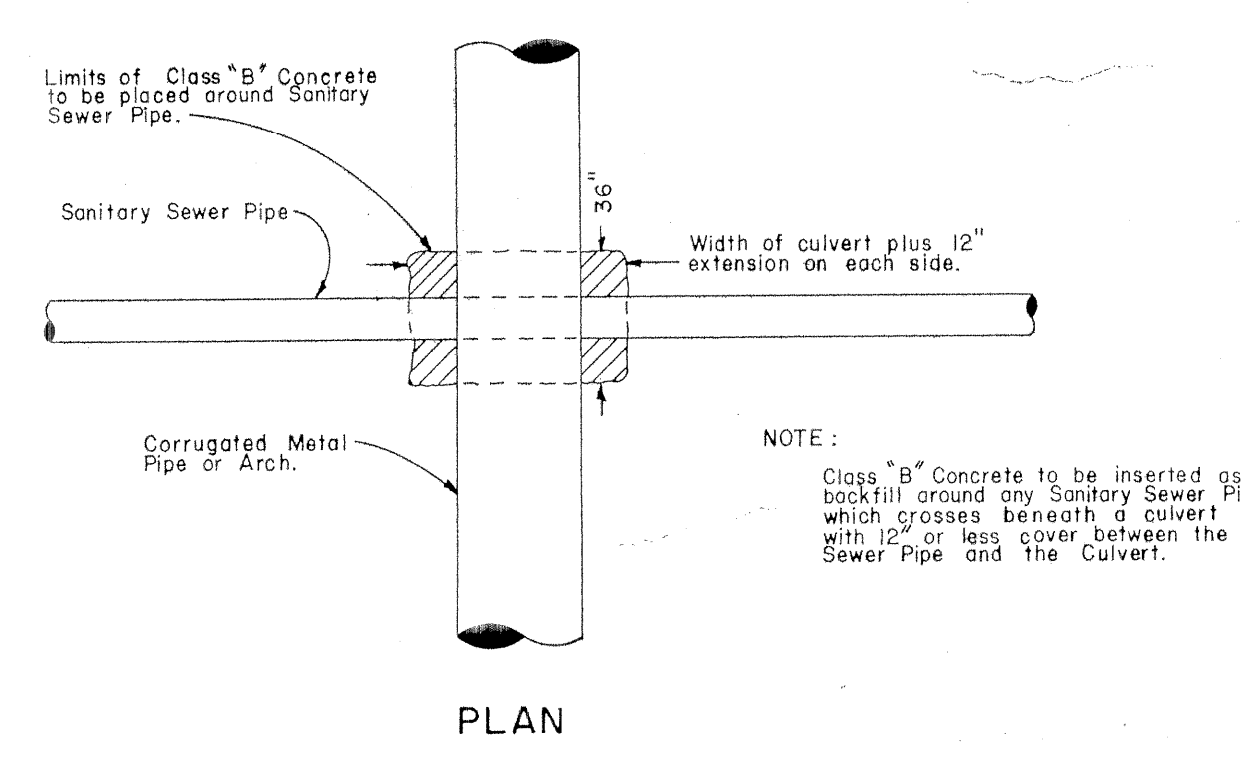
ELEVATIONS



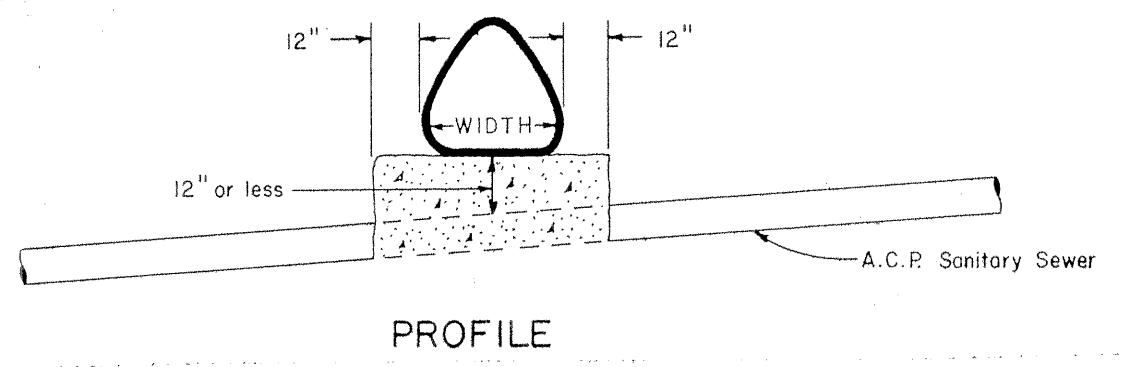
CONNECTION DETAILS

SERVICE SEWERS

- GENERAL NOTES:
- All Service lines shall be 4" inside diameter unless other noted.
 - Services shall have same bedding and backfill as Lateral Sewer.
 - Contractor shall use the most appropriate type connection (A, B, or C) for the particular situation encountered.
 - Service Sewer shall have 4'-0" cover (Minimum) at Property Line whenever Lateral depth and Service Sewer slope of 1/4" per foot (Minimum) permit.
 - When the Lateral Sewer depth is such that 4'-0" cover at Property Line cannot be met, the minimum slope of 1/4" per foot shall govern the cover.
 - Pipe concrete 12" wide or well compacted bedding material 18" wide under the Wye branch, the fitting, and unsupported pipe. When bedding material is used, place additional bedding material to top of bend, the full width of the trench.
 - Minimum cover of 4'-0" at the property line shall be measured from existing ground surface or the top surface of an existing or a possible future sidewalk, whichever is lower.
 - A specific elevation of the property line, when shown on the plans or designated by the Engineer, shall govern.
 - When water lines are located in the street, all laterals shall pass one (1) foot below the water line.



CONCRETE SADDLE DETAIL



PLAN

H W HAIGHT & WEATHERBY
P.O. BOX 817, SAN ANDREAS, CALIF.

BEAR VALLEY SANITARY SEWER

MISCELLANEOUS SANITARY SEWER CONSTRUCTION DETAILS

DESIGNED <i>[Signature]</i>	DRAWN <i>[Signature]</i>	CHECKED <i>[Signature]</i>
APPROVED <i>[Signature]</i>	DATE 9-24-70	
SCALE <i>None</i>	W.O. NO. 19-02-01	FILE NO. 4 OF 4